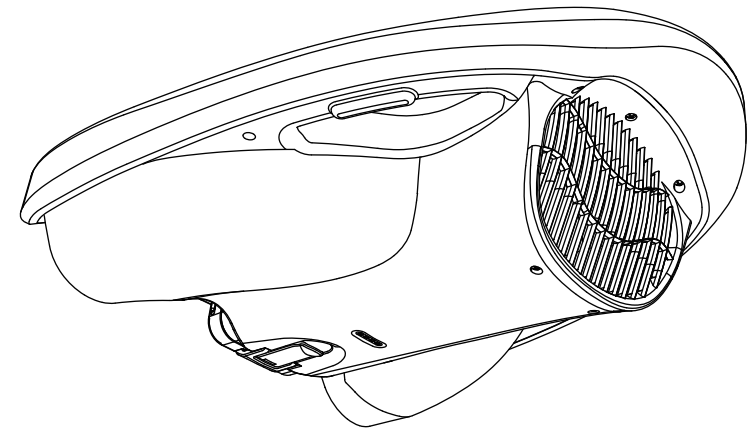


# ASIWO®



[www.asiwo.com](http://www.asiwo.com)  
E-Mail: [customer@asiwo.com](mailto:customer@asiwo.com)

## USER MANUAL

### Electric Kickboard

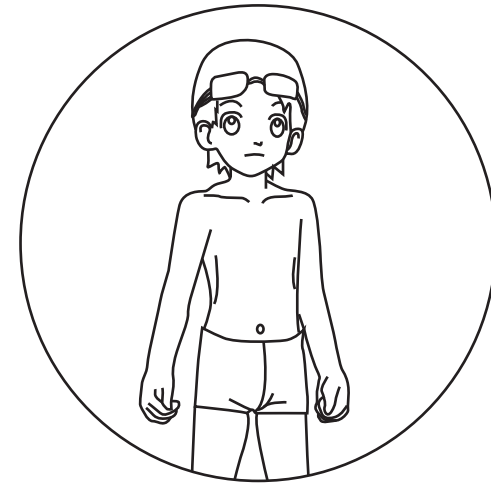
  
AGE  
12+

  
WEIGHT  
5.7LBS/2.6KG

  
RUN TIME  
60 MINS

  
SPEED  
1.5M/S

  
GEAR  
3 SPEED



**AGE 12+**

**THANK YOU FOR CHOOSING OUR ASIWO ELECTRIC KICKBOARD!**

To reduce the risk of injury, adult supervision is required children and swim beginners .

Read and understand the user manual and all the other safety instructions and warnings before using this equipment.



## THE RISK OF INJURY

For safety purpose, please always wear an approved- PFD (Personal Flotation Device) while snorkeling. Always inspect the swimming area to ensure it is free of hazards or obstacles such as boats and swimmers. When using the Reef for scuba diving, ascents and descents should be made in accordance with recognized diving practices. Please wear a swimming cap.

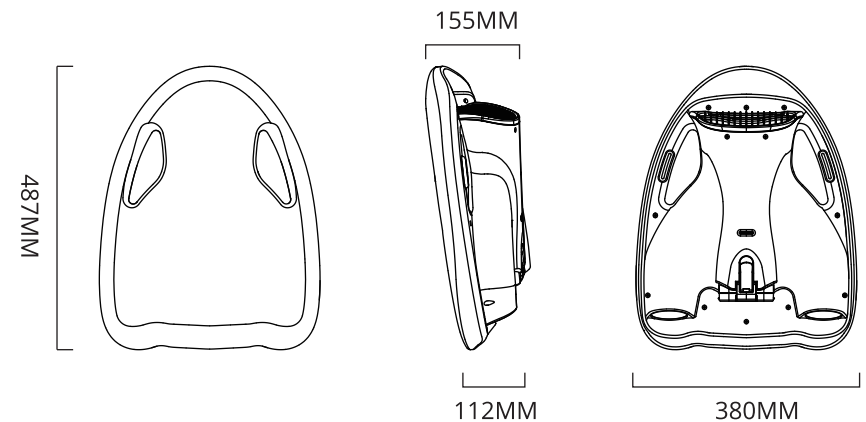


### WARNING:

Do not dive deeper than you normally would when snorkeling, so you can get back to the surface safely.

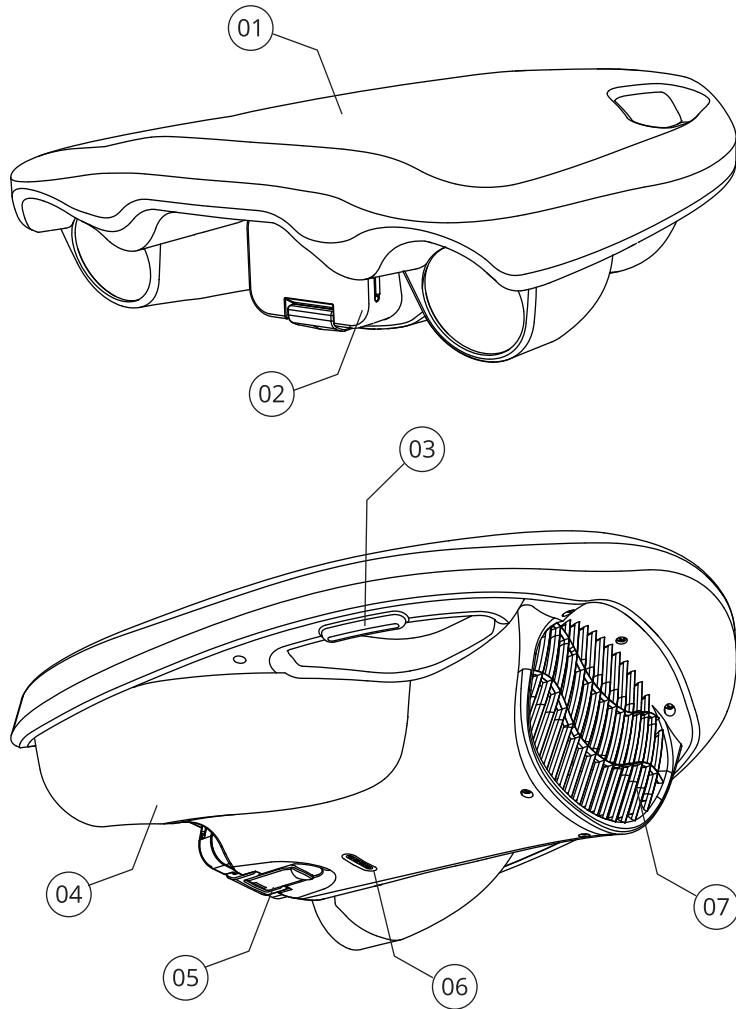
## Brief introduction

ASIWO Electric Kickboard is a smart powered kickboard with strong buoyancy, excellent power and portability for adults and children above 12 years old. It uses a built-in propeller system that can provide 8.0kg thrust. Taking into account ergonomics and scientific allocation of weight and buoyancy, it could provide stable and comfortable user experience. The detachable and rechargeable lithium battery provides safety, portability and running time.



## Easy to learn and use

- Lay upon the Kickboard, push the start buttons with both hands to switch on or off.
- The strong buoyancy makes it suitable for both adults and children.
- The handle on the both side makes it portable.
- The removable battery could be replaced in 3 seconds. Small capacity and long battery life, 60mins on average.



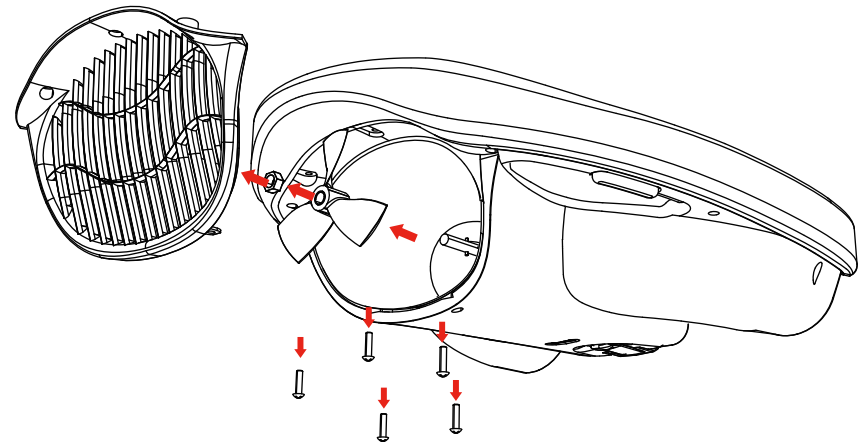
- 01 Buoyancy component
- 02 Battery Pack
- 03 Start/Stop buttons
- 04 Back cover
- 05 Switch locker
- 06 LED indicators
- 07 Front cover

## Considerate design

- There are three speed modes for you to choose from, making your experience both safe and exciting.
- The high-quality EVA material feels natural and comfortable to human skin.
- The built-in power propeller can stop in 0.2 seconds in case of foreign objects.

## The covers of propeller is detachable design

Easily remove the covers of propeller by loosen the screws.



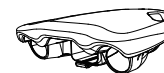
## Main specifications

Material of body	EPP+PC&PP
Main Body Size	487x380x155 mm / 19.2x14.9x6.1 inch
Weight	5.7 lbs / 2.6 kgs
Operating Temperature	0 C - 40 C
Input	DC 42V=1.0A
Battery	Li-Ion 18650 37V 2.5Ah
Motor	36V 300W Brushless
Amazing Buoyancy	Rated to hold up to 120KG (265 lb)
Max. Speed	1.5m/s
Max. Propulsion	8kgf
Max. Operating Time	60 mins
Speed Mode	<b>3 Levels (Slow/Middle/Fast)</b> <b>Operating time:</b> 57-60mins (Slow Mode) 27-30mins (Middle Mode) 15-18mins (Fast Mode) <b>Propulsion:</b> 3.5kgf(Slow Mode) 5.5kgf (Middle Mode) 8kgf (Fast Mode)
Charging Time	3-4 hours

## List of items

Before using ASIWO Electric Kickboard, please check whether the package contains the following items.

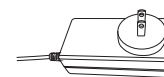
For missing items, please contact us or local distributor.



Asiwo Kickboard



Asiwo Battery



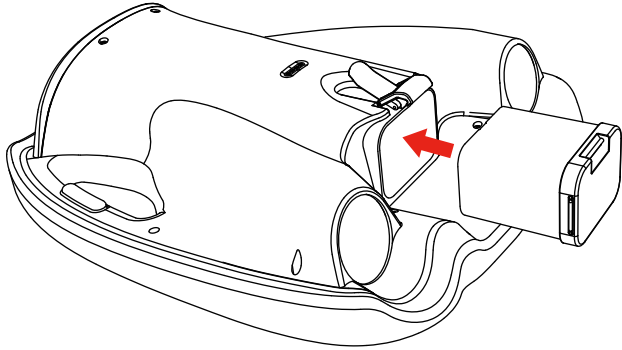
Asiwo AC Charger



Asiwo User Manual

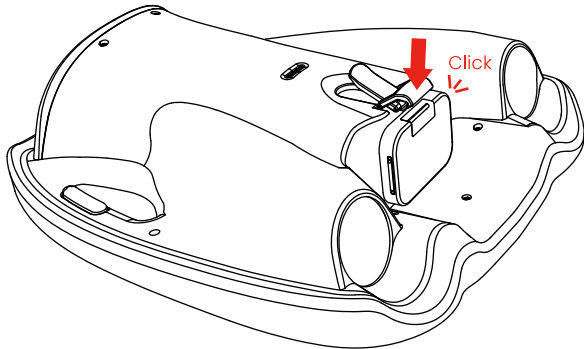
## Install & Disassemble the Battery Pack

1. Insert the battery into the compartment.



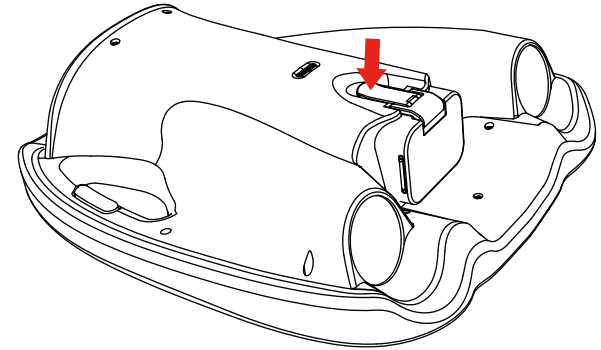
2. Fix the inner buckle of the battery pack.

Hearing "Click" indicates that the battery was correctly installed.

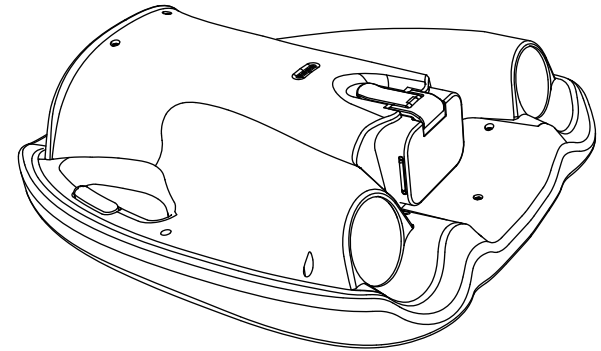


## Install & Disassemble the Battery Pack

3. Battery will adjust according to its space and fit in.

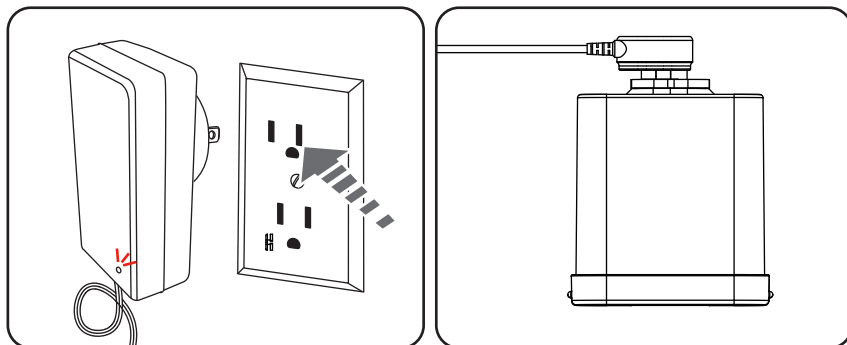


4. The battery pack is installed well



## Charging

ASIWO kickboard uses removable and rechargeable lithium battery. Before using it for the first time, please fully charge the battery to guarantee a successful debut.



Adapter

Charging (RED) | Charging Finished(GREEN)

Charge Port

### CAUTION

For safety reason, when the temperature of the battery pack over 48°C (118°F), the battery pack itself will stop charging, the LED on the adapter will be on GREEN.

When the temperature of the battery pack lower than 48°C (118°F), it will be charged again, the LED on the adapter will be on RED.

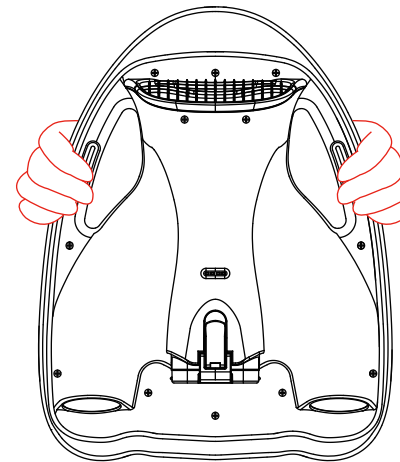
## WARNING

This product uses rechargeable batteries.  
Improper use may cause serious injury or death.  
Do not charge the product indoor or sleeping.

## Switch On/ Off

**Switch on:** Hold both triggers simultaneously and the propeller will start.

**Switch off:** Release both triggers and it will be switched off.



\* Always check the battery capacity before using.

## Speed Switch

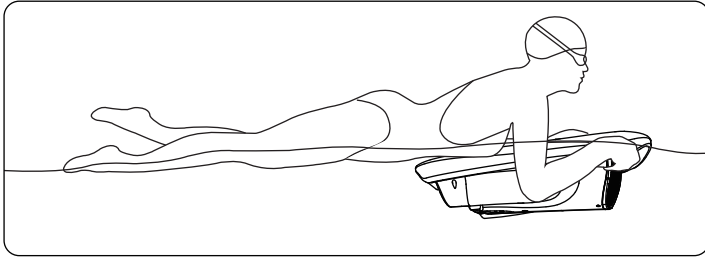
- There are 3 speed modes of the kickboard, always start from 1st level of speed mode and increase accordingly.
- After starts the motor, press the right trigger 1 time in 1 second to increase the speed; press the left trigger 1 time in 1 second to lower the speed.

Gear	Speed(m/s)	Run time(min)	Thrust(kgf)
1 (Slow)	0.6	60	3.5
2 (Middle)	1	30	5.5
3 (Fast)	1.5	18	8

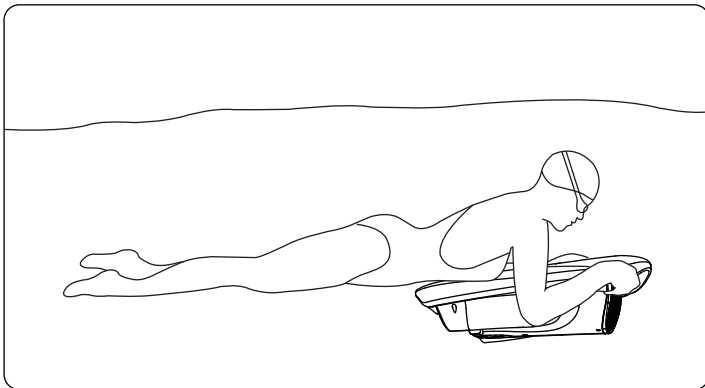
## CAUTION

Children and swim beginners must use this device wearing life vest or other safety equipment under the supervision of guardians.

- Place ASIWO kickboard horizontally on the water surface. The user may lay upon the floater.
- Turn on the device and push the start buttons on both sides. ASIWO kickboard will stop when one of the buttons are released.



- ASIWO Kickboard underwater deepest depth is 5 meters, more than 5 meters can get flooded.



**CAUTION:** Maximum waterproof depth 16.4ft /5m

## STATUS LIGHT

Press any switch for 3 seconds to check the battery capacity under the shutdown status.

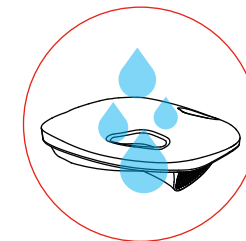
LED 1	LED 2	LED 3	LED 4	Battery Level
■	■	■	■	76-100%
■	■	■	□	51-75%
■	■	□	□	26-50%
■	□	□	□	1-25%

## Care & Maintenance

### CLEANING

After using Kickboard in seawater or fresh water, please clean ASIWO kickboard in time follow the following steps:

- ① Clean all parts of the device by rinsing with fresh water or immersing in fresh water.
- ② Keep the device on, immerse the device in fresh water and push the start buttons on both sides. Keep the device running for 3 seconds and repeat 5-10 times.
- ③ Shake the device and clear all foreign objects.
- ④ Use a soft cloth to wipe the device and make sure that there is no water remaining on the device and battery.
- ⑤ Remove the battery and place the battery and device separately to dry in cool and well ventilated place.





## BATTERY

- Keep away from fire and excessive heat.
- Avoid intense physical shock, severe vibration, or Reef.
- Protect from water or moisture.
- Do not disassemble the kickboard or its battery.
- Contact US Customer Support if there are any issues with the battery.

## STORAGE

- Fully charge the battery before storing. The battery should be fully charged once a month after this.
- Cover the kickboard to protect against dust.
- Store the kickboard indoors, in a dry place.
- Take out the battery when not using the device.

## MODIFICATIONS

Do not attempt to disassemble, modify, repair, or replace the product or any components of the unit without instruction from our Customer Support. This will void any warranty, and can lead to malfunctions which may cause injury.

## Safety Warnings

- Before using this product, please read the user guide thoroughly and learn about the water conditions that you are about to enter. The device should be used in appropriate waters and approved by the management authority.
- To ensure safety, users should wear life jackets or life-saving equipment under any circumstances.
- This product is an entertainment device and cannot be used as life-saving equipment.
- This product is not recommended for minors under 12 years of age. Minors over 12 years of age should use this product with the guardian's supervision or protected by a lifeguard authorized by the guardian.
- To prevent possible hazards, this product should not be used by the elderly, the pregnant and those who are not suitable for swimming.
- It is forbidden to take any medicine before or when using this product.
- The user should wear a swimming cap when using this product, and pay special attention to the people around you to avoid getting other people's hair or clothing into the propeller.
- Do not put your fingers or other parts of your body into the propeller at any time, or insert any foreign objects into the propeller.
- It is recommended to use this product in open water. It is strictly forbidden to use this product in rivers, ponds or other poor water conditions, and please be careful not to get clothes, algae, ropes, fishing nets, shells, sand or other debris in the water into the propeller in case of damage.
- The Kickboard is equipped with a dedicated charger. Do not use other chargers, otherwise, damages to the battery may occur. Please use the original charger at all times.
- When using this product, please do not point the water outlet of the propeller to the eyes and face of yourself or others.
- Please use this product after standing firmly in the water so as to prevent falls.
- When using this product in water, the user should always observe the surrounding environment to avoid collision.
- Check the battery before using this product. When using this product in water, the user should observe the battery from time to time and make sure to return to the shore before battery exhaustion.

- There is battery inside this product. Please handle it gently and avoid strong vibration, bumping or collision.
- Unofficial or authorized maintenance personnel must not carry out repairs. Improper repair will cause damage to the product and Sublue assumes no responsibility for such damage. All unauthorized disassemble will be deemed as the consumer's waiving of the product warranty. The user shall bear all consequences.
- Please replace the battery in a dry environment and keep the equipment and your hands dry. Do not replace the battery in water.
- Before using this product, the product should be fully examined to ensure that the battery is not damaged and the battery is fully charged, and that the dual propeller and propeller blades are working properly.
- To protect the endurance of the motor, the user should not operate the device for more than one minute in a non-underwater environment. When abnormalities are detected (such as burnt smell), the user should immediately release the start button to stop the device and immediately disconnect the power.
- Do not use this product directly on the beach to prevent sand, shells or other debris from damaging the surface of the product and the inside of the device. The device will be damaged if sand or other foreign objects were carried inside the propeller.
- Do not get the surface of the product in contact with volatile substances or acidic substances such as gasoline or rubber solutions. Keep the product away from sharp objects.
- Do not place heavy objects on the product.
- Do not throw the battery into fire.
- Any Changes or modifications not expressly approved by the party responsible for compliance could void the user's authority to operate the equipment.
- This device complies with part 15 of the FCC Rules. Operation is subject to the following two conditions: (1) This device may not cause harmful interference, and (2) this device must accept any interference received, including interference that may cause undesired operation.
- This equipment complies with FCC radiation exposure limits set forth for an uncontrolled environment.



There is battery inside this product.  
Please handle it gently and avoid  
strong vibration, bumping or collision.