

# NITROX

## User Manual Electric ATV Nitrox Legend 1500W



Read this entire manual before using.

All information, images, and specifications contained in this manual are based on the latest product information available at the time of publication. Due to improvements or production changes, there could be discrepancies in this manual. We reserve the right to make product changes at any time, without notice and without obligation to make the same or similar changes to any vehicle previously built or sold.







Please read the owner's manual before riding.



Never use the vehicle on the public road. OFF ROAD use only.



Never ride with a passenger



Always use an approved helmet and protective gear



NEVER use with drugs or alcohol



Cold tire pressure.



Never operate this vehicle if you are under the age 16

**INTRODUCTION**



Thank you for purchasing this mini ATV. The proper care and maintenance that your vehicle requires are outlined in this manual. Following the instruction will ensure a long trouble-free operating life of this vehicle and your satisfaction with it.

The owner's manual corresponded to the latest state of this vehicle at the time of printing. Slight deviations resulting from continuing development and design can, however, not be completely excluded. All specifications are non-binding. We reserve the right to modify or delete technical specifications, parts, design, etc.... without prior notice.

**SAFETY RIDING WARNINGS**

**This vehicle is NOT A TOY and ONLY used in closed off areas remote from public road traffic.**

**Never permit children under age 16 to operate this ATV.**

**WARNING:** Riding an electric mini quad can be a hazardous activity. Certain conditions may cause the equipment to fail without the fault of the manufacturer. Like other electric vehicles, the Mini Quad can and is intended to move, and it is therefore possible to lose control, fall off and/or get into dangerous situations that no amount of care, instruction or expertise can eliminate. If such things occur, you can be seriously injured or die, even when using safety equipment and other precautions. RIDE AT YOUR OWN RISK AND USE COMMON SENSE.

This manual contains many warnings and cautions concerning the consequences of failing to maintain, inspect or properly use your mini ATV. Because any incident can result in serious injury or even death. We do not repeat the warning of possible serious injury or death each time such a possibility is mentioned.

**APPROPRIATE RIDER USE AND PARENTAL SUPERVISION**

This manual contains important safety information and useful tips to help you and your child operate and handle the mini ATV. Carefully read the manual in its entirety together with your child before letting your child ride it for the first time. The manual also contains important information on servicing the vehicle.

It is your responsibility to review the manual and make sure that all riders understand all warnings, cautions, instructions, and safety topics and assure that the riders are able to safely and responsibly use this product and protect your child from injury. We recommend that you periodically review and reinforce the information in this manual with your child, and that you inspect and maintain your children's vehicle to insure their safety. **The recommended rider age of 16 years** is only an estimate, and can be affected by the rider's size, weight, and skills. Any rider unable to fit comfortably on the mini ATV should not attempt to ride it.

**It is important and necessary to conduct technical training for your child before first use. To get the training information, please contact the dealer who you purchase the vehicle from. Before your child completes the training, do not let your child use this vehicle.**

## MIDI ATV OWNER'S MANUAL

Children often underestimate or fail to recognize the dangerous situation, you should make it clear to your child that should not, under any circumstances, operate the vehicle without supervision and that your child may only drive at speed that are commensurate with the child's riding ability and other road condition.

**A parent's decision to allow his or her child to ride this product should be based on the child's maturity, skill, and ability to follow the rules.**

Keep this product away from small children younger than age 16 and remember that this product is intended for use only by persons who are, at a minimum, completely comfortable and competent while operating the vehicle.

**DO NOT EXCEED THE WEIGHT LIMIT OF 65KG.** Rider weight does not necessarily mean a person's size is appropriate to fit or maintain control of the mini ATV.

**Do not touch the brakes or electric motor on your mini ATV when in use as they can become very hot.**

Refer to the following section on safety for additional warnings.

### ACCEPTABLE RIDING PRACTICES AND CONDITIONS

**Always check and obey any local laws or regulations which may affect the locations where the Mini ATV may be used.**

Ride defensively. Watch out for potential obstacles that could catch your wheel or force you to swerve suddenly or lose control. Be careful to avoid pedestrians, skaters, skateboards, scooters, bikes, children, or animals who may enter your path, and respect the rights and property of others.

The mini ATV is meant to be used on private property and on closed courses and not on public streets or sidewalks. Do not ride your mini ATV in any areas where pedestrian or vehicle traffic is present.

Do not activate the speed control on the hand grip unless you are on the MINI ATV and in a safe, outdoor environment suitable for riding.

This product was manufactured for performance and durability but was not impervious to damage. Jumping or other aggressive ridings can over-stress and damage any product, including the Mini ATV. The rider assumes all risks associated with a high-stress activity.

Be careful and know your limitations. Injury risks increase when the degree of riding difficulty increases. The rider assumes all risks associated with aggressive riding activities.

Never carry passengers or allow more than one person at a time to ride the electric mini quad.

Never use near steps or swimming pools.

Never use alcohol or drugs before or while operating

Never attempt to do wheelies, jumps, or other stunts. Don't try to show off. If not avoided, could result in death or serious injury



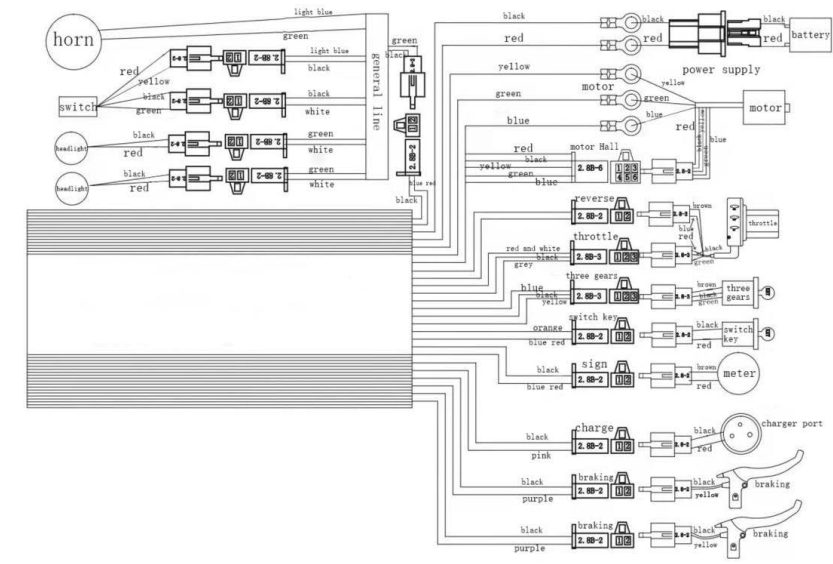
## MIDI ATV OWNER'S MANUAL

The vehicle is overloaded.

Make sure you do not overload the vehicle by allowing more than one rider at one time, exceeding the maximum weight limit, going up too steep a hill, or towing objects behind the vehicle. If the vehicle is overheated, the temperature circuit protector will slow motor down and if the condition continues, will shut off power to the motor. Correct the driving conditions that caused the overheating, wait 5-10 minutes and then resume riding. Avoid repeatedly overheating the unit.

Sometimes the vehicle doesn't run, but other times it does.	Loose wires or connectors. Motor or electrical Switch damage.	Check all wires around the motors and all connectors to make sure they are tight.  Contact the authorized service center for diagnosis and repair.
Charger gets warm During use.	Normal response to Charger use.	No action required. This is normal for some Chargers and is no cause for concern. If your charger dose not get warm during use, it does not mean that it is not working properly.
Vehicle does not Stop when applying the brake.	Brakes are not adjusted properly.	Refer to brake instructions to properly adjust Brakes.

## CIRCUIT DIAGRAM





**TROUBLESHOOTING GUIDE**

<b>Problem</b>	<b>Possible cause</b>	<b>Solution</b>
The vehicle does not run.	Undercharged battery.	Charge the battery. The battery should have been fully charged before using the vehicle for the first time and up to 8 hours after each subsequent use. Check all connectors. Make sure the charger connector is tightly plugged into the charging port, and that the charger is plugged into the wall.  Make sure the power flow to wall outlet is on.
	The charger is not working.	You may check to see if your charger is working by using a voltmeter or asking the authorized service center to test your charger for you.
The vehicle was running but suddenly stopped.	Loose wires or connectors.	Check all wires and connectors to make sure they are tight
	Burned-out fuse.	The fuse will burn out and automatically shut off the power if the motor is overloaded.  An excessive overload could cause the motor to overheat. Refer to replacing the fuse instructions of this manual. Correct the conditions that caused the fuse to burn out and avoid repeatedly burning out the fuse.
	Motor or electrical switch damage.	Contact the authorized service center for diagnosis and repair.
Short run time (less than 30 minutes per charge)	Undercharged battery.	Charge the battery. A new battery should have been charged for at least 12 hours before using the vehicle for the first time and up to 8 hours after each subsequent use.  Check all wires and connectors. Make sure the battery connector is tightly plugged into the charger connector, and that the charger is plugged into the wall.  Make sure the power flow to the wall outlet is on.
	The battery is old and will not accept a full charge.	Even with proper care, a rechargeable battery does not last forever. Average battery life is 1 to 2 years depending on vehicle use and conditions. Replace only with a replacement battery.
	Brakes are not adjusted properly	Refer to brake adjustment instructions.
Vehicle runs Sluggishly.	Driving conditions are too stressful.	Use only on solid, flat clean and dry Surfaces such as pavement or level ground.
	Tires are not properly Inflated.	The tires are inflated when shipped, but They invariably will lose some pressure Between the point of manufacturing and your purchase. Refer to tire instructions to properly inflate tires.

Always keep both hands on the handlebar and both feet on the footrests of your ATV during operation.

Go slowly and be extra careful when operating on unfamiliar terrain. Always be alert to changing terrain conditions when operating the ATV.

Keep your fingers and other body parts away from the steering system, wheels, and all other moving components.

Never use headphones or a cell phone when riding.

Never hitch a ride with another vehicle.

Do not ride the mini quad in wet or icy weather and never immerse the electric mini quad in water, as the electrical and drive components could be damaged by water or create other possibly unsafe conditions.

Wet, slick, bumpy, uneven, or rough surfaces may increase the risks of use. Do not drive the electric quad in mud, ice, puddles, or water. Avoid excessive speeds that can be associated with downhill rides. Never risk damaging surfaces such as carpet or flooring by use of an electric four wheeler indoors.

Do not ride at night or when visibility is limited.

**PROPER RIDING ATTIRE**

Always wear proper protective equipment such as an approved safety helmet, elbow pads, and kneepads. A helmet may be legally required by local law or regulation in your area.

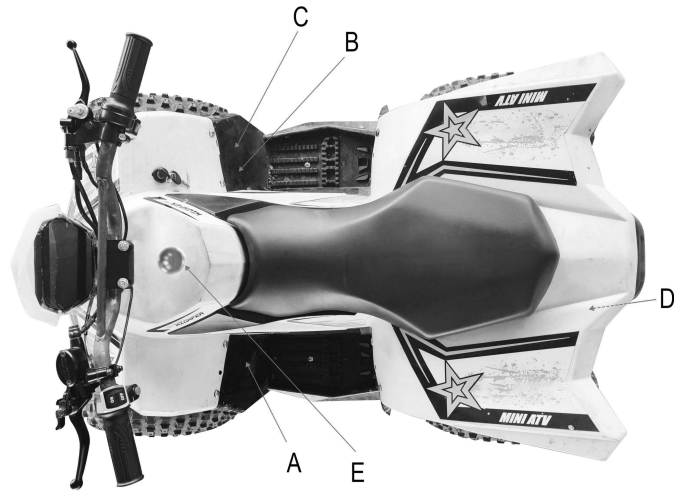
A long-sleeved shirt, long pants, and gloves are recommended. Always wear athletic shoes, never drive barefooted or in sandals, and keep shoelaces tied and out of the way of the wheels, motor, and drive system.

**USING THE CHARGER** (The charger is not a toy!)

The charger supplied with the electric mini quad should be regularly examined for damage to the cord, plug, enclosure, and other parts, and in the event of such damage, the quad must not be charged until the charger has been repaired or replaced. Always disconnect from the charger prior to wiping down and cleaning your electric mini quad with liquid.

**FAILURE TO USE COMMON SENSE AND HEED THE ABOVE WARNINGS INCREASES THE RISK OF SERIOUS INJURY. USE WITH APPROPRIATE CAUTION AND SERIOUS ATTENTION TO SAFE OPERATION.**

**WARNING STICKER LOCATION**



Sticker A is located on the left front fender.



Inflate the tires to the normal specification.

**EXTERNAL**

Spray all vinyl and rubber parts with a rubber preservative.

Spray unpainted surfaces with rust preventative.

Coat painted surfaces with car wax.

**NOTE:** Void storing outside in direct sunlight and avoid using a plastic cover as moisture will collect on the ATV causing rusting.

**PREPARATION AFTER STORAGE**

Clean the ATV thoroughly.

Check all control wires and cables for signs of wear or fraying. Replace if necessary.

Charge the battery, then install. Connect the battery cables making sure to connect the positive cable first.

Check the entire brake systems (fluid level, pads, etc.), all controls, headlights, taillight, and brakelight; adjust or replace if necessary.

Check the tire pressure. Inflate to recommended pressure as necessary.

Tighten all nuts, bolts, cap screws, and screws, making sure all calibrated nuts, cap screws, and bolts are tightened to specifications.

Make sure the steering moves freely and does not bind.

Follow the recommendations found in the pre-start inspection.

**TECHNICAL SPECIFICATION SHEET**

Motor type	Brushless motor
Max.output	1500W - (peak effect)
Battery	4 x 12V 12AH lead acid battery
	4 x 12V 20AH lead acid battery for option
	48V14AH lithium battery for option
Charger INPUT for lead acid battery	100-240V/50-60 Hz/1.6A
Charger OUTPUT for lead acid battery	57.60V-2.0A
Charger INPUT for 48V lithium battery	100-240V/47-63 Hz/2.0A
Charger OUTPUT for 48V lithium battery	54.6V-2.0A
Transmission	Shaft drive
Front suspension	Double mechanical damper
Rear suspension	mono shock absorber
Tyre	Tubelss tyre,front 145x70-6, rear 145x70-6 with 10.00 P.s.i. operation pressure and 24 P.s.i Max. inflate .
Tyre	Tubelss tyre,front 16x8-7, rear 16x8-7with 10.00 P.s.i. operation pressure and 24 P.s.i Max. inflate .
Brake system	Front drum brake and rear hydraulic disc brake
Rated loading capacity	65KG
Vehicle size(6" wheel)	118*70*69CM
Vehicle size(7" wheel)	125*76*80CM

**TRANSPORTATION**

The ATV should be transported in the normal position if possible. It may also be transported in the standing position. Still, the standing position is not as stable as the normal position.

**PREPARATION FOR STORAGE**

Some measures should be taken when the vehicle is subjected to a long term storage so as to reduce the bad influence on its performance. Before the storage, make necessary maintenance to ensure the vehicle high performance after-storage.

**VEHICLE**

Place the vehicle on level ground and thoroughly clean the entire vehicle. DO NOT get water into any part of the motor controller or battery.

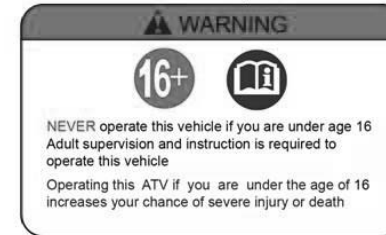
Tighten all nuts, bolts, cap screws, and screws. Make sure rivets holding components together are tight. Replace all loose rivets. Care must be taken that all calibrated nuts, cap screws, and bolts are tightened to specifications.

Disconnect the battery cables (negative cable first); then remove the battery, clean the battery posts and cables, and store in a clean, dry area.

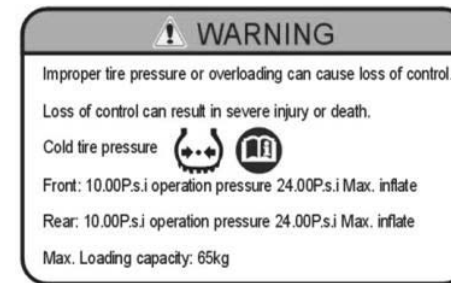
**NOTE:** For storage, use a battery maintainer or make sure the battery is fully charged.

**TIRES**

Sticker B is located on the right front fender.



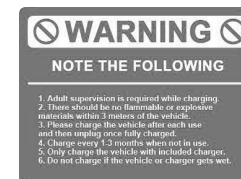
Sticker C is located on the right front fender.



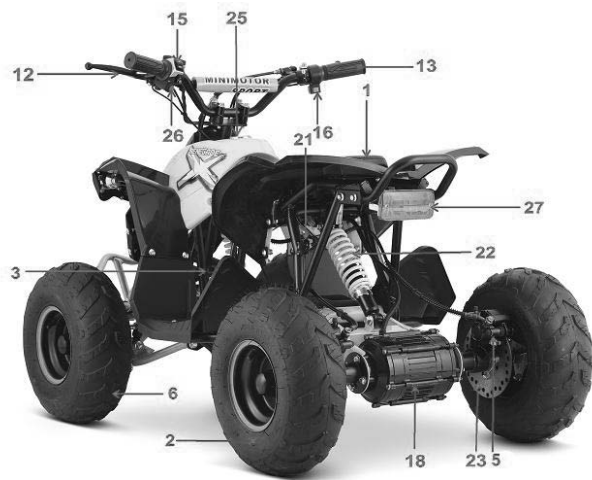
Sticker D is located on the motor.



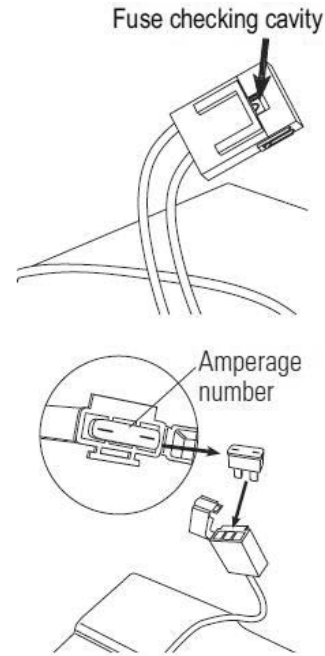
Sticker E is located near the battery indicator.



PRODUCT DESCRIPTION



- |                            |                                  |                             |
|----------------------------|----------------------------------|-----------------------------|
| 1. seat                    | 2. rear tire                     | 3. battery                  |
| 4. footrest                | 5. rear brake caliper            | 6. front tire               |
| 7. front shock             | 8. front up swing arm            | 9. bumper                   |
| 10. front disk brake       | 11. head light                   | 12. rear brake lever        |
| 13. throttle lever         | 14. ignition key                 | 15. headlight on/off button |
| 16. forward/reverse switch | 17. three-speed limit button/key | 18. motor                   |
| 19. front down swing arm   | 20. rear axle                    | 21. charger plug            |
| 22. rear shock             | 23. rear disk brake              | 24. front brake lever       |
| 25. battery indicator      | 26. horn button                  | 27. rear light              |



2. Check the fuse to see if it has burnt out. If the fuse is damaged, open the fuse cover.

3. Remove any fuse that is damaged or burnt out and replace with a new one of equal amperage.

**Note:** Amperage is located on top of fuse.

Ⓢ Battery Care and Disposal

Do not store the battery in temperatures above 75° F or below -10° F.

CONTAINS SEALED LEAD OR LI-ION BATTERY. THE BATTERY MUST BE RECYCLED.

**Disposal:** Your product uses sealed lead-acid or li-ion batteries which must be recycled or disposed of in an environmentally sound manner. Do not dispose of a battery in fire. The battery may explode or leak. Do not dispose of a battery in your regular household trash. The incineration, land filling or mixing of sealed lead-acid batteries with household trash is prohibited by law in most areas. Return exhausted batteries to a federal or state approved lead-acid battery recycler or a local seller of automotive batteries.

Ⓢ Charger

The transformer/charger supplied with the product should be regularly examined for damage to the cord, plug, enclosure and other parts, and, in the event of such damage, the Mini Quad must not be charged until it has been repaired or replaced. Use ONLY with the recommended charger.

**WARNING:** If a battery leak develops, avoid contact with the leaking acid and place the damaged battery in a plastic bag. Refer to the disposal instructions above. If acid comes into contact with skin or eyes, flush with cool water for at least 15 minutes and contact a physician.

**Guide:**

**Tire assembly and disassembly**

It is strongly recommended that the tire assembly and disassembly should be done by an authorized technician with necessary skills.

**Tire inflating pressure**

It is very important to keep the tire at proper pressure and check the tire pressure before use. The inflating should be done while the tire is cold.

**Tire maintenance**

Tire tread depth should be checked regularly. ( Shallower tread means less grip of the tire). You must stop using the vehicle if the tire is pierced, disassemble the tire and check it carefully. Tire maintenance should be done by an authorized technician. The tire should be replaced immediately when it is distorted or damaged.

**Tire replacement**

It is important to use the correct size and standard tire as per our specification (see details in the technical specification sheet)

Don't use the used tire if you are not sure about its previous service condition.

**Tire aging**

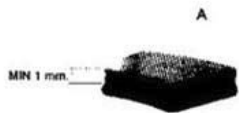
Tire aging is unavoidable even if the tire is not ever used or just used a few times. Tire aging is mainly reflected in the cracked section on the side of the tire and tire tread, sometimes the tire is distorted as well. The used and aged tire should be checked and confirmed if it is ok to use again by an authorized technician

**REPAIR AND MAINTENANCE**

Turn the power switch off before conducting any maintenance procedures.

**Check**

To check the wear of front and rear brake pads **A**, simply inspect the brake calipers as shown in the below picture.



The thickness of the lining on the ends of the four pads should never be less than 1mm.

Should the lining be thinner, immediately replace the brake pads.

**We recommend having the brake pads replaced by an authorized dealer.**

Ⓢ **Replacing the Fuse**

1. Open the battery bag to locate the fuse box attached to the batteries.

**LOCATION OF PIN**

The PIN is stamp marked on an aluminum plate that is riveted on the front of the frame.

There are the product main specification information on this PIN plate.

**PIN means the Product Identify Number which is unique for each unit.**



**BEFORE YOU BEGIN**

Remove contents from the box. Remove the foam separators that protect the components from damage during shipping. Inspect the contents of the box for scratches in the paint, dents, or kinked cables that may occur during shipping. Because the product was 85 percent assembled and packed at the factory, there should not be any problems, even if the box has a few scars or dents.

**Estimated Assembly and Set-Up Time**

We recommend assembly by an adult with experience in motorbike or bicycle mechanics. Allow up to 30-60 minutes for assembly.

**Required Tools**

Some tools may be supplied; however, we recommend using mechanic's grade tools. Use the supplied tools only as a last resort.

The list of tool required is as follows:

- Open end wrench 10mm / 13mm-15mm / 14mm-17mm / 24mm
- Allen wrench 5mm / 6mm / 10mm
- Bicycle style tire pump with pressure gauge

**FUNCTION SWITCH OF 3 SPEED LEVEL ADJUSTABLE**



The 3-speed limit key is located under the right side of the seat (see above pictures).

There are 3 letters standing for the different speeds as follows:

1 (or M): Middle speed Recommended for those with some experience

0 (or L): Lowest speed Recommended for first time use

2 (or H): Highest speed Recommended for those with full experience

**WARNING!** Speed MUST be adjusted to suit the abilities of the rider. It is IMPERATIVE that the responsible adult controls speed setting. ALWAYS start the rider at the slowest speed (L). Never allow the child to alter the speed setting.

**CONTROL FUNCTIONS**

**MAIN SWITCH**

Functions of the respective switch positions are as follows:

On: The motor can be started only at this position.

Off: All electrical circuits are switched off. The key can be removed in this position.



**THROTTLE LEVER**

Once the main switch is turned on, movement of the throttle lever will increase the motor speed. Regulate the speed of the motor by varying the throttle position. Check the throttle to be sure it is operating smoothly. Make sure it returns to the initial position as soon as the lever is released.

**FRONT BRAKE LEVER**

The brake lever is located on the right side of the handlebar. Pull down on the lever to apply the front brake.

**REAR BRAKE LEVER**

The brake lever is located on the left side of the handlebar. Pull down on the lever to apply the rear brake.

correctly locked in place. There should not be any unusual rattles or sounds from loose parts or broken components. If you are not sure, ask an experienced mechanic to check.

**Note:** To avoid a pinch or injury, keep fingers away from moving sprockets and chain.

**Ⓢ Brake**

Check the brake for proper function. When you squeeze the lever, the brake should provide positive braking action. When you apply the brake with the speed control on, the brake cut-off switch will stop the motor.

**Ⓢ Frame, Fork, and Handlebars**

Check for cracks or broken connections. Although broken frames are rare, it is possible for an aggressive driver to bash into a curb or wall and wreck and bend or break a frame. Get in the habit of inspecting yours regularly.

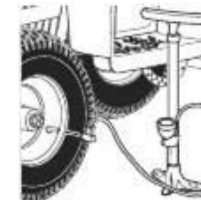
**Ⓢ Tire Inflation**

Periodically inspect the tires for excess wear, and regularly check the tire pressure and re-inflate as necessary. If you get a flat tire, the inner tube can be patched or a new tube can be purchased from an authorized repair center.

**Ⓢ Safety Gear**

Always wear proper protective equipment such as an approved safety helmet, elbow pads, and kneepads. Always wear shoes (lace-up shoes with rubber soles), never drive barefooted or in sandals, and keep shoelaces tied and out of the way of the wheels, motor, and drive system

**Inflating the Tires**



**NOTE:** Using a bicycle-style tire pump to inflate the tires to the PSI indicated on the sidewall of the tire. Always inflate the tires to the correct PSI before first time use.

Front	145/70-6
Rear	145/70-6
Front	16x8-7
Rear	16x8-7

Higher pressures may cause the tire to burst. Inflate the tires very slowly and carefully. Fast inflation could cause the tire to burst.

**Note:** The pressurized air supplies found at gasoline stations are designed to inflate high-volume automobile tires. If you decide to use such an air supply to inflate your tires, first make sure the pressure gauge is working, then use very short bursts to inflate to the correct PSI. If you inadvertently over-inflate the tires, release the excess pressure immediately.

**Important information of use guider for tire**

**Note:** The tire is the only contact between the vehicle and the road. The safety of various driving activities depends on the small area of the tire where contact with the road. Therefore, it is very important to keep the tire in good condition and use the correct size and standard tire to replace the old ones.

The remote control unit ( No.1 in the above picture) is located under the seat and the switch

Stop the motor: press the button  ( No.3 in the above picture)

Start the motor: quickly press the button  2 times ( No.2 in the above picture)

**Caution: The remote control works effectively within 30 meters only.**

**SAFETY REMINDERS**

**Charging the Battery**

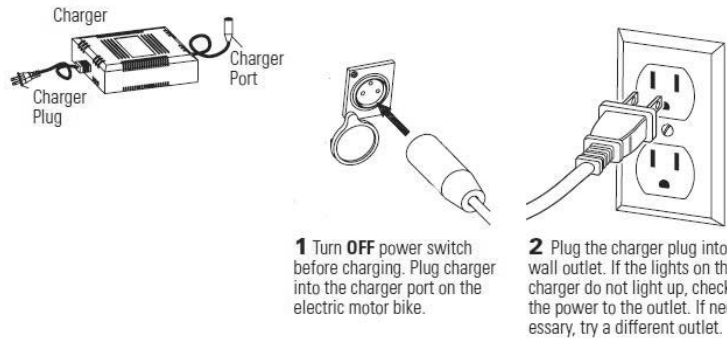
Your electric mini quad may not have a fully charged battery; therefore, it is a good idea to charge the battery prior to use.

- suggested Initial charge time: 9-12 hours
- Average battery life: 250 charge/discharge cycles (Lead-Acid battery),
- Recharge time: Always remember to turn the power switch off and fully charge the battery after each use. When the vehicle is not in regular use, recharge the battery at least once a month until regular use is resumed. If you have left the power switch on or your product has not been charged for an extended time, the battery may reach a stage at which it will no longer hold a charge.

**WARNING:** Always disconnect your electric mini quad from the charger before cleaning with liquid.

The charger has a small window with two LEDs to indicate the charge status. Red LED means the battery is charging and Green LED means the battery is fully charged. Chargers have built-in over-charge protection to prevent the battery from being over-charged.

**Be sure to properly align the groove on the charger input port with the corresponding socket on the Mini Quad and tighten threads; otherwise, no charging action will occur.**



**Warning:** Failure to recharge the battery at least once a month may result in a battery that will no longer hold a charge.

**PRE-RIDE CHECKLIST**

Ⓢ **Loose Parts**

Check and secure all fasteners before every ride. Make sure steering stem clamp bolts are

**PARKING BRAKE**

Apply the brake lever and then press down the stop button to apply the parking brake. Squeeze the rear brake lever to release the parking brake.

When parking, stop the engine. Turn the fuel cock to "OFF" and apply the parking brake

**Parking on a slope**

Avoid parking on slopes. If you must park on an incline, apply the parking brake and block the wheels with rocks or other objects.



**Assembly illustration and instruction**

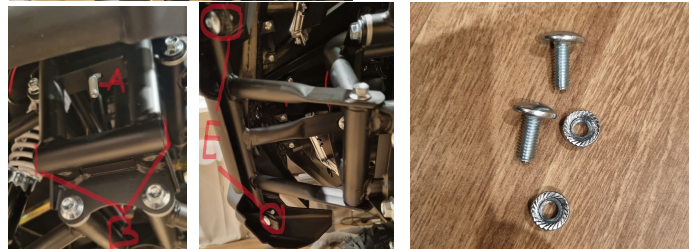
**Attaching front Bumper**

-Start to remove the screw and bold on place A & B.



- Place the metal front bumper support into place.
- The widest part should be assembled to the front plastic part and the other 3 'sticks' should be assembled to place 'A and B.' place A & B.

-Start to screw back the screws from 'B' on both sides (see the picture above).



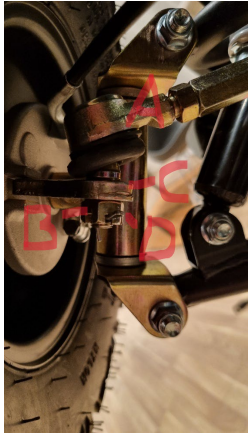
- Make sure the metal part and the front bumper holes are lined up well.
- Use the screws (see picture above) which you can find inside the tool/parts bag, and tightend the metal part to the plastic front bumper. make sure the screws are well tightened.
- Finally screw back the bold and place 'A'.

**Attaching rear**



**Pre-frontwheel assembling**

-Before assembling the wheel, remove the bolt from the spider joint 'A and B'  
 -Then attach the wheel in the middle 'C'.  
 -After that assemble the bolt 'B' and tighten with the spring 'D' down below. The spring you can find aside inside the tool/ parts bag



- A. Flange bolt M8\*16 4PCS
- B. Lock nut M8

B.Rear bumper

1. Align B to ATV frame.
2. Tighten A,C by wrenches.

**3. ASSEMBLY FRONT WHEEL**



1. Loosen the self-locking nut M10x3
2. Put on the front wheels.
3. Tighten A(M10x3) by wrenches.
4. Put on the anti-layer cover



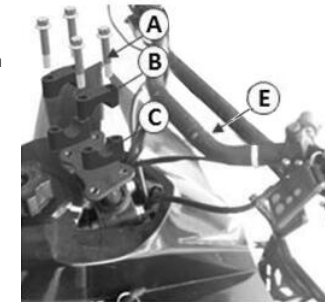
**ASSEMBLY REAR WHEEL**



1. Put on the rear wheels
2. Get ready the assembled parts ABCDE
3. Assemble in the order A B C D and tighten the wheel
4. Put on the anti-layer cover E

**ASSEMBLY HANDLEBAR**

**WARNING:** Failing to properly adjust and tighten the bolts that affix the handlebars can cause you to lose control and crash.



**Seat**

To remove the seat, pull the seat lock lever upward and pull up the seat at the rear.



**OPTIONAL PART ---REMOTE CONTROL**

